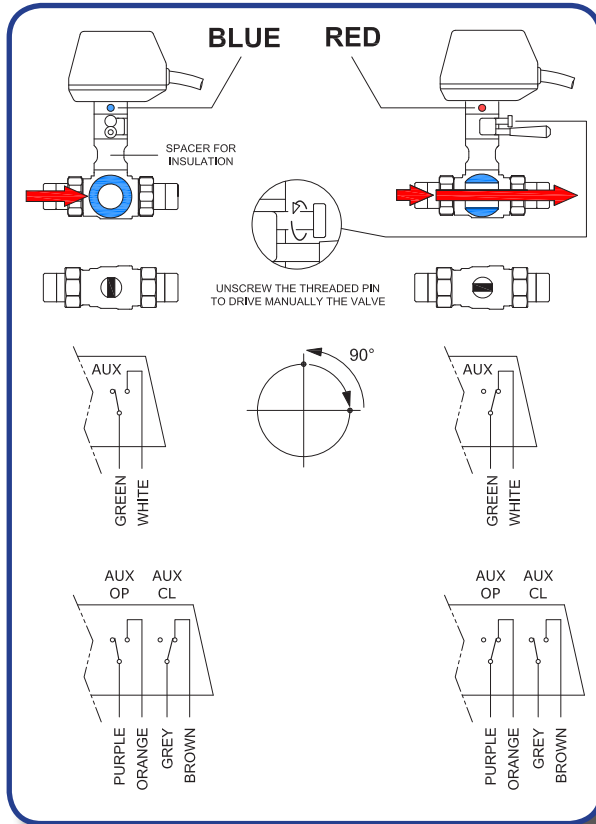


2-WAYS MOTORISED VALVE "FRIGO" LINE

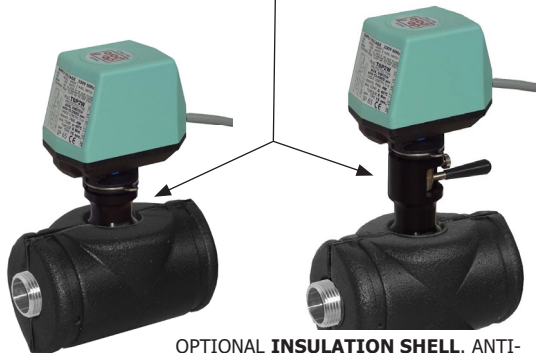
INSTRUCTION SHEET

SUITABLE FOR WATER, GLYCOL WATER OR LIQUIDS COMPATIBLE WITH PTFE AND EPDM. BEFORE INSTALLATION, MAKE SURE THAT THE HYDRAULIC CIRCUIT IS CLEANED OF SOLIDS SUCH AS WELDING OR THREAD RESIDUES.

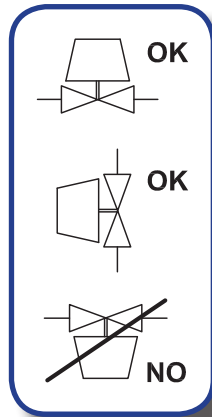
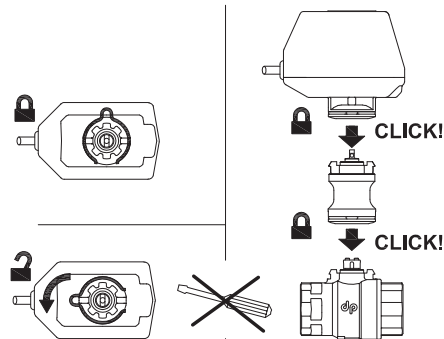
Environment temperature	min. 0 °C max 65 °C
Fluid temperature	min. -15 °C max 110 °C
Pressure rating	16 bar
Differential pressure	max 6 bar
Electrical protection	IP 65



SPACER REQUIRED IN REFRIGERATION APPLICATIONS. MAXIMUM INSULATION THICKNESS 40 MM.



OPTIONAL **INSULATION SHELL**. ANTI-CONDENSATION FUNCTION, TEAR-OFF OPENING

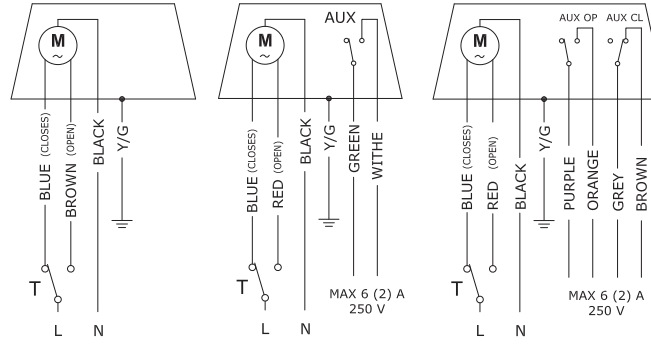


230 Vac	24 Vac
P7A3	P7S3
P7A3W	P7S3W
P7A3X	P7S3X

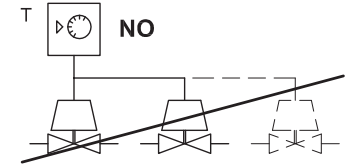
230 Vac	24 Vac
P7B3	P7C3
P7B3W	P7C3W
P7B3X	P7C3X

230 Vac	24 Vac
P7X3	P7Y3
P7X3W	P7Y3W
P7X3X	P7Y3X

rot. time
60" x 90°
15" x 90°
8" x 90°



3-WIRES CONTROL P7(...)

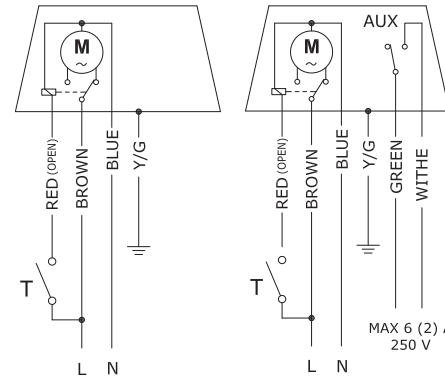


SEVERAL SERVOMOTORS WITH **3-WIRE CONTROL** CANNOT BE CONNECTED IN PARALLEL TO A SINGLE THERMOSTAT

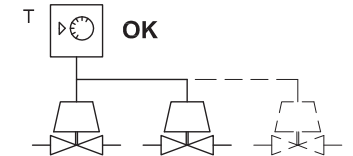
230 Vac	24 Vac
T7A3	T7S3
T7A3W	T7S3W
T7A3X	T7S3X

230 Vac	24 Vac
T7B3	T7C3
T7B3W	T7C3W
T7B3X	T7C3X

rot.time
60" x 90°
15" x 90°
8" x 90°



2-WIRES CONTROL T7(...)



SEVERAL SERVOMOTORS WITH **2-WIRE CONTROL** CAN BE CONNECTED IN PARALLEL TO A SINGLE THERMOSTAT

The informations in this document are intended for the company responsible for installation and maintenance. The hydraulic and electrical installation operations must be carried out by qualified personnel, in accordance with the laws and regulations of each country where the product is destined. The product must only be used in the application context for which it has been designed. De Pala srl, in the continuous process of improving its products, reserves the right to make any technical, dimensional and aesthetic changes it deems necessary without prior notice.