

MODULATING REGULATION VALVES WITH EQUIPERCENTAGE FLOW CURVE EQUISFERA 3 WAYS

DIAMETERS

1/2" - 3/4" - 1" - 1" 1/4 - 1" 1/2

Regulation of the mixed water temperature



ATTACHMENTS:
FEMALE OR
PIPE UNIONS

OPERATING INSTRUCTIONS

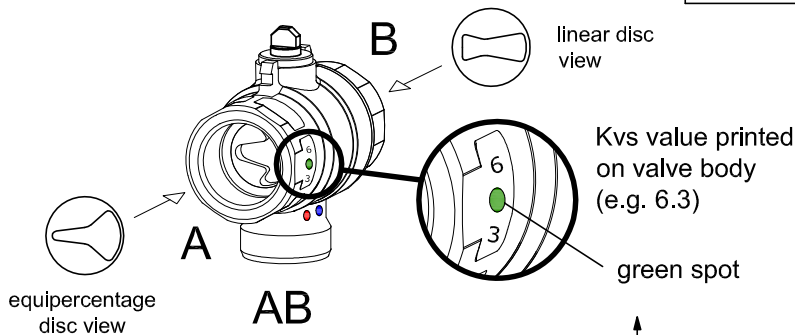
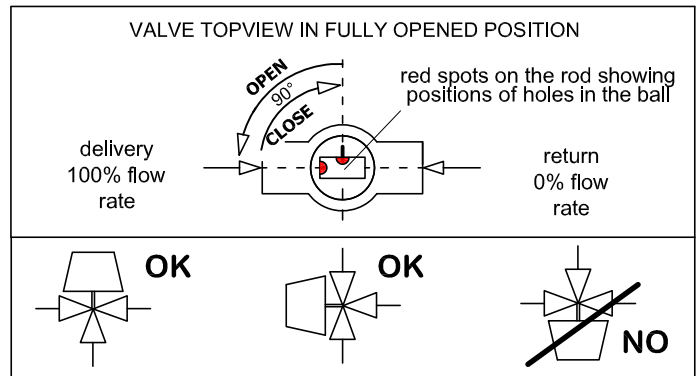
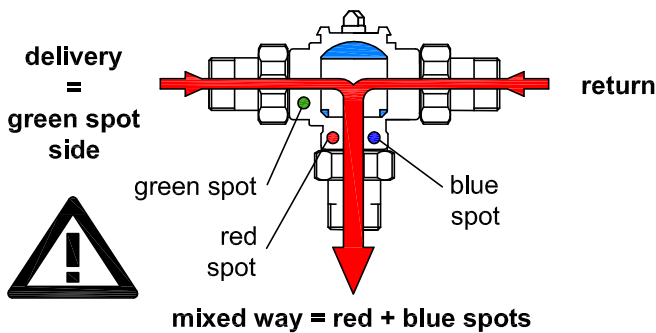
WORKING

Brass body valve is provided with a ball shutter, seated between two PTFE discs: the first one, placed in the delivery side, is Y-shaped according to the **equipercentage regulation** flow rate; the second one, placed in the return side, is shaped in order to obtain a **linear regulation**. The combination of the delivery and return flow produces an optimum temperature modulation for the mixed fluid coming out from the central way.

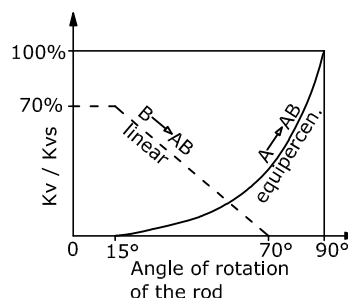
De Pala valve is powered by a **bidirectional servomotor** with **90° reversible movement** coupled to the valve body by means of a quick-release **bayonet coupling system**. The electric actuator is equipped with a strong gear box with heat-treated steel gears.

Servomotor can be controlled by a 3-point modulating control with a precise ball shutter positioning proportionally related to the control signal. It can be also controlled by an electronic control with chrono-proportional outputs or by means of a climatic electronic control with external and inlet pipe sensors.

INSTALLATION



∅	1/2"	3/4"	1"	1" 1/4	1" 1/2
Kvs	0.63	1.6	6.3	10	16
A-AB	1.0	2.5	10	16	25
(m³/h)	1.6	4			
	2.5	6.3			
	4.0				



CONNECTING / REMOVING
ACTUATOR and VALVE

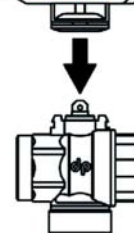
NO TOOLS
NEEDED!

TO COUPLE =
PUSH TO
CONNECT

LOCKED
POSITION

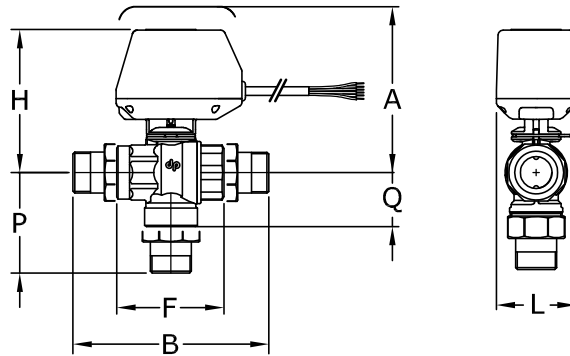


TO UNLOCK =
90° RING
ROTATION

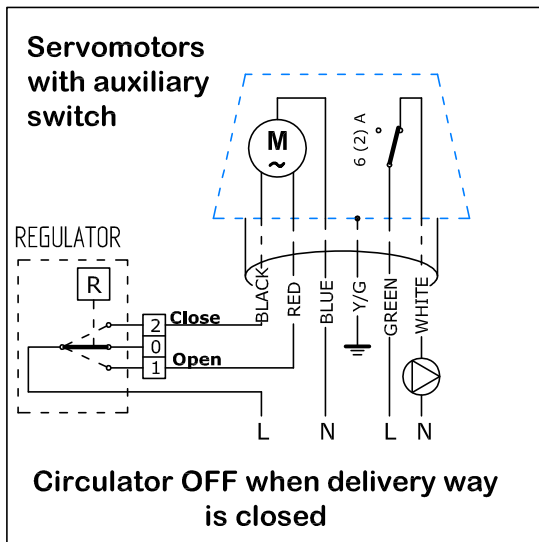
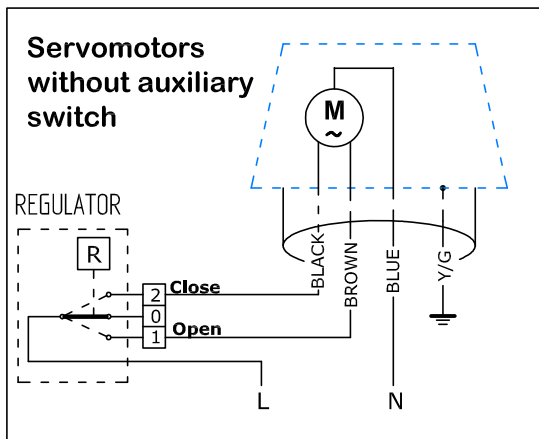


TECHNICAL FEATURES OF VALVE AND SERVOMOTOR

OVERALL DIMENSIONS							
Ø	H	A	F	B	Q	P	L
1/2 "	110	130	76	130	38	65	64
3/4 "	110	130	76	136	38	68	
1 "	115	135	86	155	43	78	
1 " 1/4	120	140	94	172	47	86	
1 " 1/2	128	148	108	193	60	102	



□ ELECTRIC CONNECTIONS



□ VALVE BODY

- Valve body : Brass CW617N (UNI 12165) NICH.
- Ball : Brass CW614N (UNI 12164) NICH / CROM
- Regulation disc: PTFE
- Rod : Brass CW614N (UNI 12164) with double EPDM O-RING
- Maximum operating pressure: 16 bar
- Maximum differential pressure: $\Delta p = 4$ bar
- Fluid temperature range : $0 \div 100$ °C
- Utilisable fluid : water / liquids compatible with PTFE / EPDM

□ SERVOMOTORS

- Power consumption : 4 W
- Working ambient temperature : $0 \div 65$ °C
- Closing / opening time : 120 " x 90 °
- Type of control : 3 points
- Max. auxiliary switch capability: 6 (2) A - 250 V ca
- External indication of shutter position

	Electric protection rating	Supply voltage	Auxiliary switch
M7A3EN	IP 54	230 V	NO
M7S3EN		24 V	
M7B3EN		230 V	YES
M7C3EN	24 V		
P7A3EN	IP 65	230 V	NO
P7S3EN		24 V	
P7B3EN		230 V	YES
P7C3EN		24 V	

WARRANTY

DE PALA srl warrants each new valve and servomotor to be free from defects in material, workmanship and construction, and that when installed and used in accordance with this technical datasheet will perform to applicable specifications for a period of two years from production date stamped. If examination by DE PALA srl discloses that the product has been defective, then our obligation is limited to repair or replacement, at our option, of the defective product or its components. DE PALA srl is not responsible for products which have been subject to misuse, alteration, accident or for repairs not performed by DE PALA srl. Products must be returned properly packed with transportation charges prepaid to DE PALA srl; return delivery terms will be DDP Our Factory. The foregoing warranty constitutes DE PALA srl sole liability, and is in lieu of any other warranty, of merchantability or fitness. DE PALA srl shall not be responsible for any incidental or consequential damages arising from any breach of warranty.

de pala

33080 ROVEREDO IN PIANO (Pordenone) - Via del Lavoro, 10 - ITALIA Web : www.depala.it
 Telefono 0434.920466 0434.923166 FAX 0434.591473 e-mail : info@depala.it