

ACTUATOR

FOR ISO 2 - 3-WAY VALVES

Ø 1", Ø 1"1/4, Ø 1"1/2 and Ø 2"

ISO 5211 CONNECTION - FLANGE F03 - F05, SQUARE 11

INSTRUCTION SHEET

FUNCTIONING

The **M8 - R8** actuators are made up of a 230Vac or 24 Vac **BIDIRECTIONAL** electric motor, equipped with **ISO 5211** valve connection system: with flange **F03 - F05, square 11**.

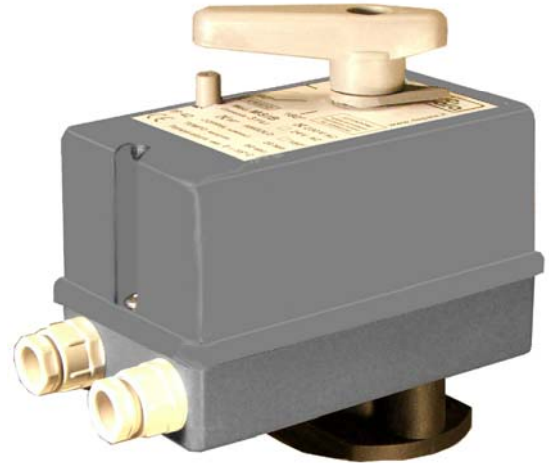
Opening and closing are achieved by 90° reversible rotation of the output shaft in 60 seconds.

The **M8** series motor is controlled by a **3-WIRE** room thermostat (**electric line diverted to OPEN or CLOSE contact**) or by any **diverted** input. This thermostat (or generic input) must control only one actuator.

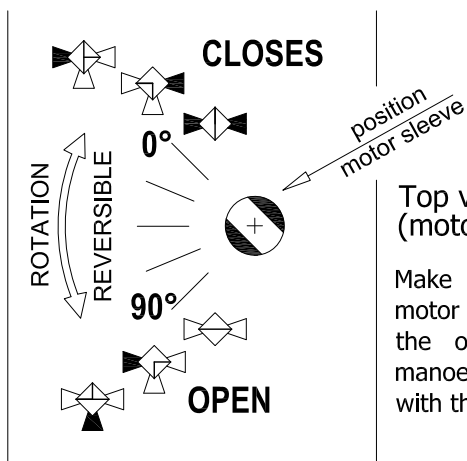
The **R8** series motor is controlled by a **2-WIRE** room thermostat (**electric line interrupted on OPEN contact**) or by any **interruption** input. This thermostat (or generic input) can control several actuators in parallel.

The actuator is equipped with **1 auxiliary microswitch** which intervenes in the hydraulic opening position, with a "clean" type electrical contact.

Depending on the application, it can also be equipped with a second auxiliary microswitch in the hydraulic closed position with relative "clean" contact (see code combination table).



VALVE-ACTUATOR COUPLING

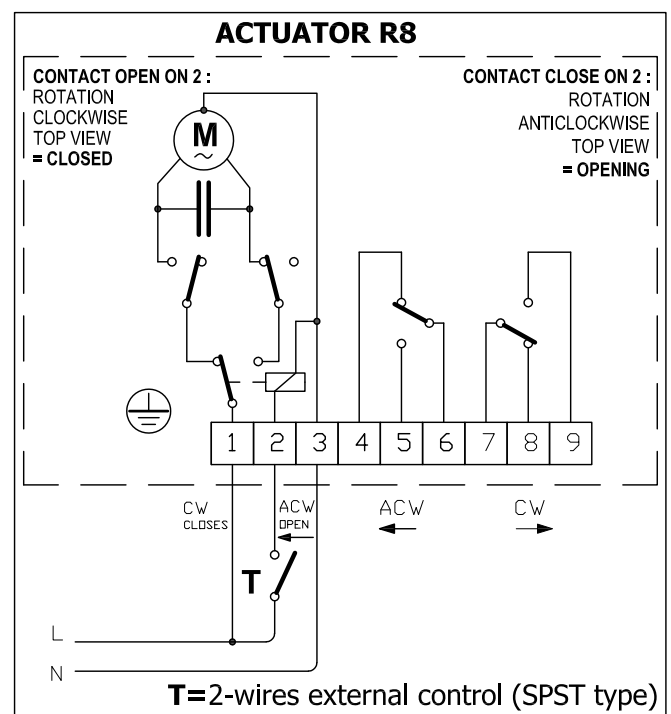
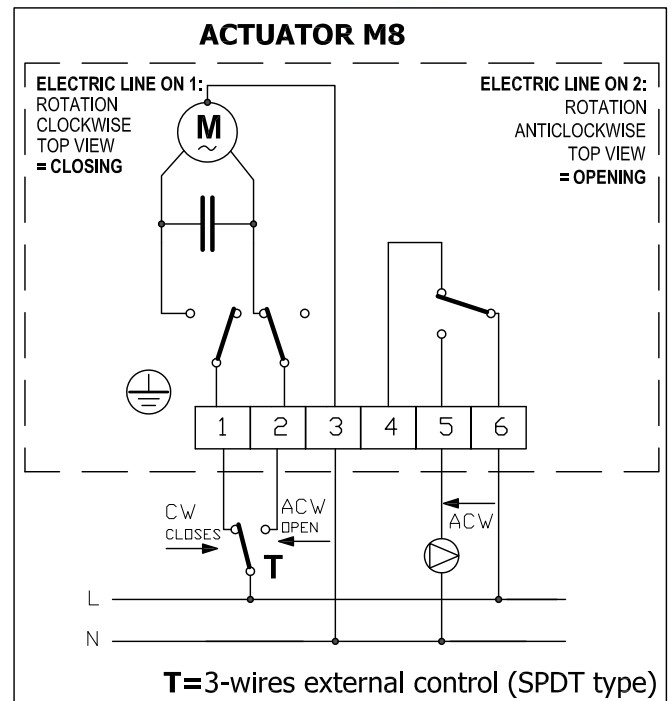


Top view (motor cover side)

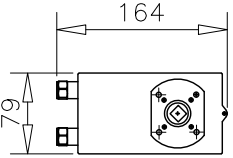
Make sure to couple the motor to the valve so that the opening and closing manoeuvre is in accordance with the figure on the left.

PAY ATTENTION TO THE OPENING AND CLOSING POSITIONS OF THE DE PALA VALVE, REPRESENTED ON THE HEAD OF ITS OPERATING SHAFT, BY A NOTCHED GROOVE IN MODE **I, L** OR **T**.


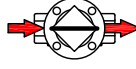
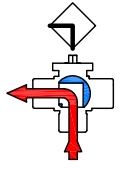
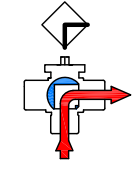
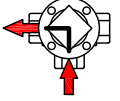
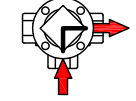
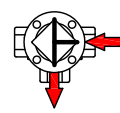
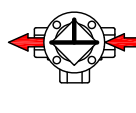
Pressing and holding down the grey button on the cover, the handle is unlocked : the valve can be rotated manually and its opening/closing checked by means of the position indicator (valid for unprotected versions).



ACTUATOR FEATURES

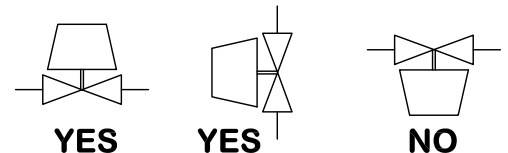
M8 - R8	ACTUATOR CODE							
	M8IB9	M8IB9P	R8IB9	R8IB9P	M8IC9	M8IC9P	R8IC9	R8IC9P
SUPPLY VOLTAGE	230 Vac +/- 10%				24 Vac +/- 10%			
COMMAND TYPE	3 WIRES		2 WIRES		3 WIRES		2 WIRES	
ELECTRICAL PROTECTION GRADE	IP42	IP65	IP42	IP65	IP42	IP65	IP42	IP65
 <p>Height : 137 (IP42) Height : 110 (IP65)</p>	<ul style="list-style-type: none"> - Manoeuvre time : 60" x 90° bidirectional - Starting torque : 20 Nm - Operating temperature : -10°C / +65°C - Electrical consumption : 4,5 W only during operation - Flange : ISO 5211 : F03 - F05, square 11 - Auxiliary contacts : (*) n°1, capacity 16(6) A - 250 Vac (closed with valve open) 							
	[*] with E in place of B = 2 auxiliary contacts (example : M8IE9)				[*] with F in place of C = 2 auxiliary contacts (example : M8IF9)			

COUPLING TO DE PALA VALVE BODIES

VALVE TYPE	CLOSING POSITION	OPENING POSITION	VALVE BODY CODES
2 WAYS			622 FI / 642 FI / 652 FI / 642 FL / 652 FL
3-WAYS "T" BORED BALL COMPLANAR DIVERTER			623 TI / 643 TI / 653 TI
3-WAYS "T" BORED BALL FRONTAL DIVERTER			61A LI / 62A LI / 64A LI / 65A LI / 643 FF / 653 FF
3-WAYS LATERAL DIVERTER			61A TI / 62A TI / 64A TI / 65A TI / 643 FD / 653 FD

VALVE AND RELATED ACTUATOR COUPLING

The valve and its actuator can be installed in any position except the reverse position (i.e. the actuator is mounted with the cap facing downwards). It is recommended to mount the valve body on the pipeline first, and then couple the actuator to it when starting the system. For this purpose, they are supplied with their own packaging.



The informations in this document are intended for the company responsible for installation and maintenance. The hydraulic and electrical installation operations must be carried out by qualified personnel, in accordance with the laws and regulations of each country where the product is destined. The product must only be used in the application context for which it has been designed. De Pala srl, in the continuous process of improving its products, reserves the right to make any technical, dimensional and aesthetic changes it deems necessary without prior notice.

de pala