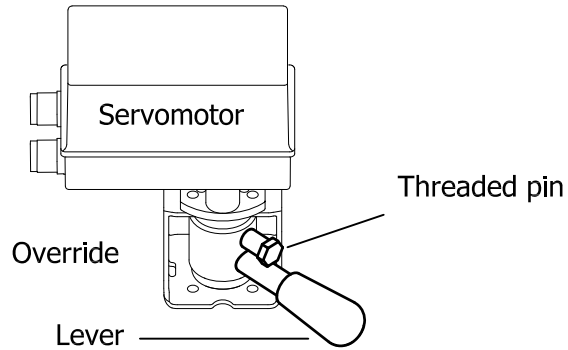


MANUAL OVERRIDE KIT FOR DE PALA SERVOMOTOR M8 - R8

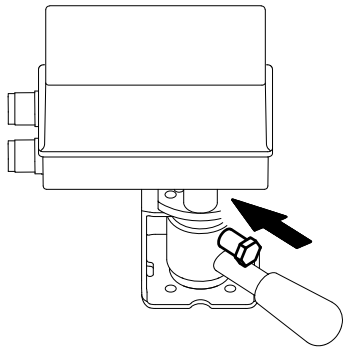
H = 70 mm THREADED ISO 5211 - F05 □ 11



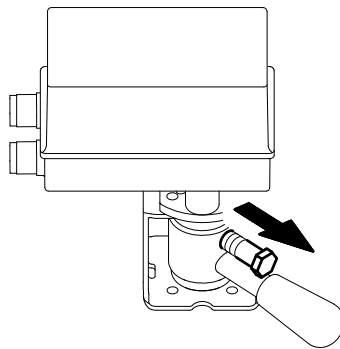
OPERATING INSTRUCTIONS



To drive the valve with the servomotor screw the threaded pin completely

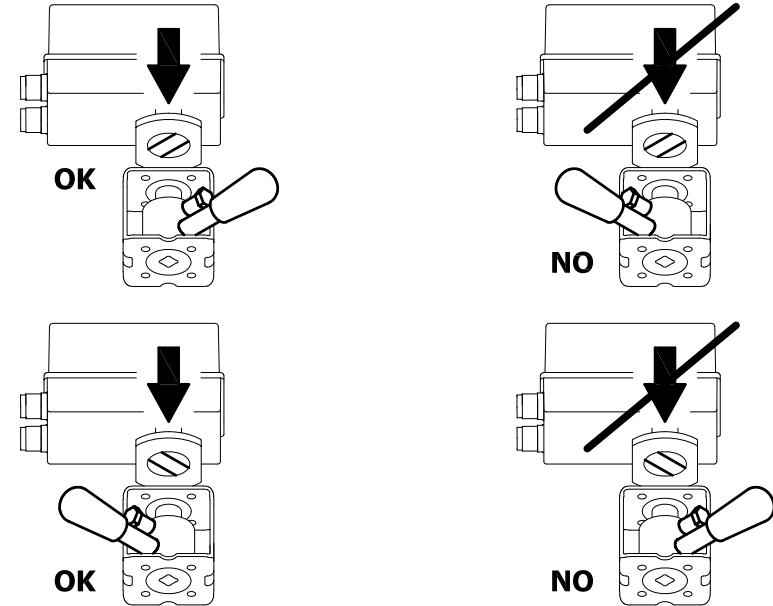


To drive the valve manually unscrew the threaded pin completely

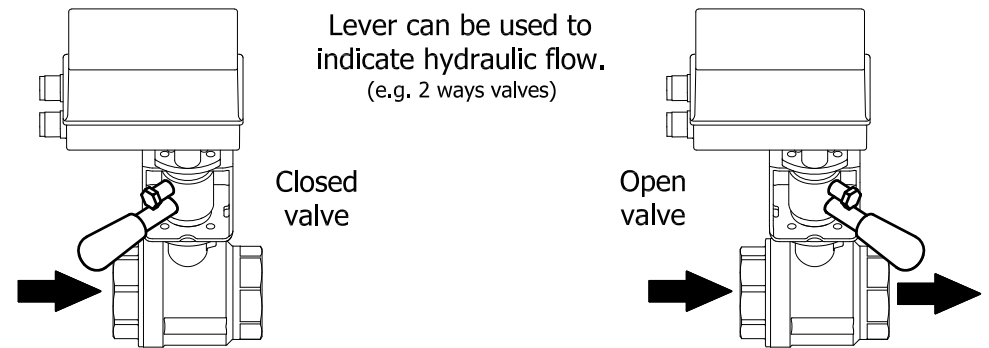


If the threaded pin is locked use 15 mm wrench or move the servomotor forward and backward, switch off the servomotor during manual operations.

WARNING: if the servomotor should be uncoupled (e.g. replacement) observe the following drawing to recouple it, in order to avoid possible damages.



It's possible to assemble the servomotor to override kit spinning it 90° / 180° / 270° compared to the figures above; always pay attention to the related positions before connection.



GUARANTEE The Seller warrants each new servomotor to be free from defects in material, workmanship and construction, and that when installed and used in accordance with this technical datasheet will perform to applicable specifications for a period of two years from the date of delivery. If examination by the Seller discloses that the product has been defective, then its obligation is limited to repair or replacement, at its option, of the defective product or its components. The Seller is not responsible for products which have been subject to misuse, alteration, accident or for repairs not performed by the Seller. Products must be returned properly packed with transportation charges prepaid to The Seller: return delivery terms will be DDP Seller's Factory. The foregoing warranty constitutes the Seller's sole liability, and is in lieu of any other warranty, of merchantability or fitness. The Seller shall not be responsible for any incidental or consequential damages arising from any breach of warranty.



33080 ROVEREDO IN PIANO (Pordenone) — Via del Lavoro, 10 — ITALIA Web: www.depala.it
Tel. 0434.920466 0434.923166 — FAX 0434.591473 — e-mail: info@depala.it