

# BALL VALVES PVC-U 2 WAYS

DN 15 ÷ DN 50

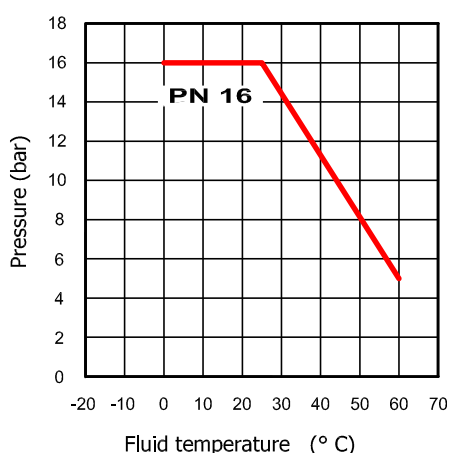


## OPERATING INSTRUCTIONS

### UTILIZATION

Do not use abrasive fluids with sand inside. The valve is inspectionable through body opening. Maintenance free. Seats clamping is adjustable as indicated in the following pictures. Preserve manual lever, useful for inspections and settings.

Observe the pressure - temperature working range indicated in the diagram below.



**VALVE CONNECTIONS:**  
FEMALE GAS ISO 228  
or SOLVENT CEMENT FITTING

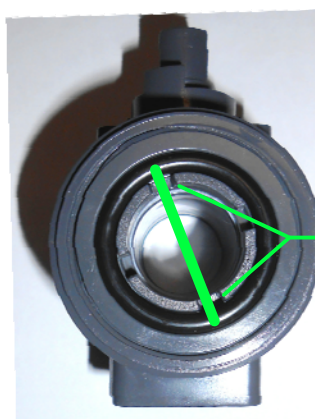
### INSTALLATION

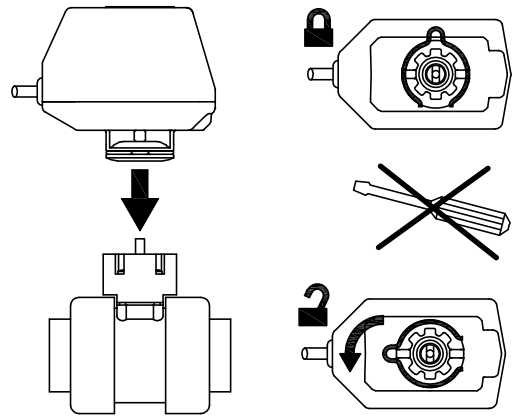
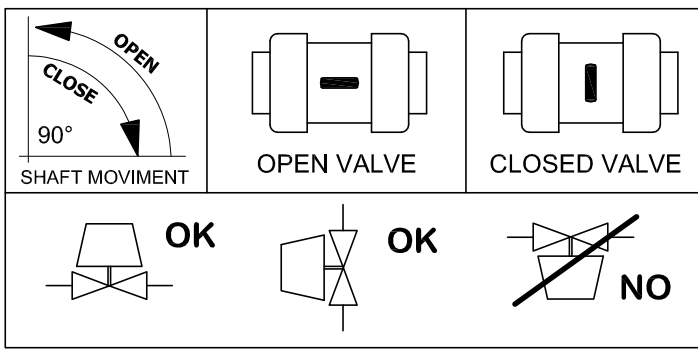
Ensure to have clean circuits without solid motes like welding or threading residues in order to prevent seats damages and leakages. In case of solvent cemented fitting valves install the body after glueing the unions at pipes. This process guaratees that inside parts don't paste together.

Observe pipes alignment in order to prevent valve stress.

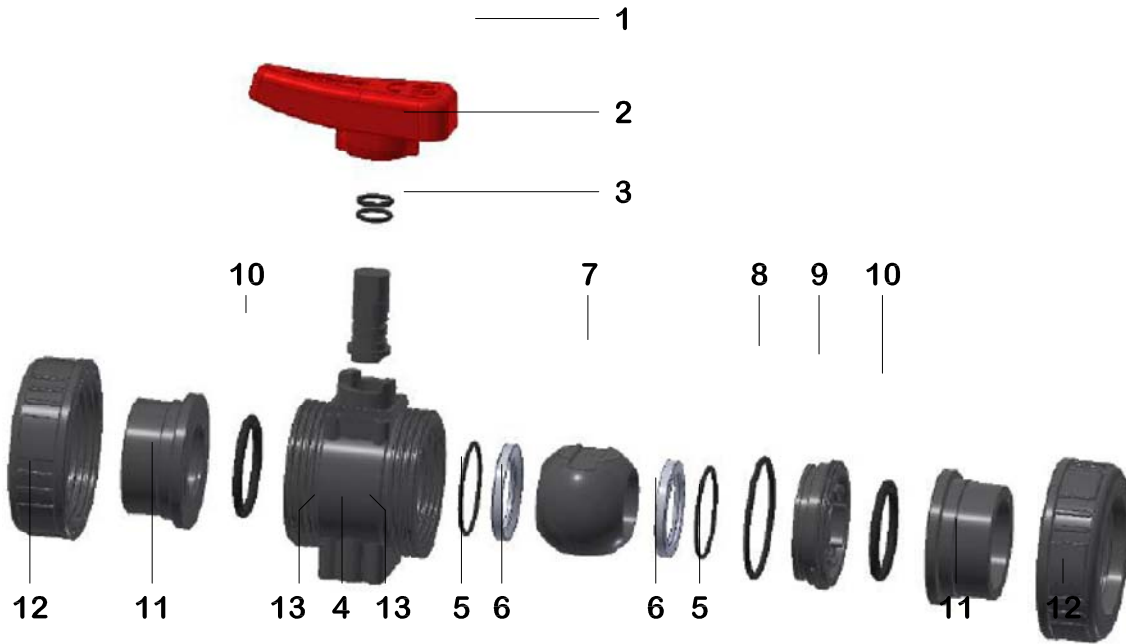
For settings and inspections, use the vane in the lever inserting it in the body valve dent; therefore spin clockwise to lock or spin anti-clockwise to open it. This procedure must be carried out with valve completely opened.

FOR INSPECTIONS AND SETTINGS





COMPONENTS



Pos.	Description	Material
1	Manual lever	ABS
2	Shaft O - ring	EPDM
3	Shaft	PVC - U
4	Valve body	PVC - U
5	O - ring on seats	EPDM
6	Seats	PTFE
7	Ball	PVC - U
8	Valve body O - ring	EPDM
9	Seats' holder	PVC - U
10	Union O - ring	EPDM
11	Union	PVC - U
12	Nut	PVC - U
13	Threaded insert	Brass

In special versions material can be change

**GUARANTEE**

The Seller warrants each new servomotor to be free from defects in material, workmanship and construction, and that when installed and used in accordance with this technical datasheet will perform to applicable specifications for a period of two years from the date of delivery. If examination by the Seller discloses that the product has been defective, then its obligation is limited to repair or replacement, at its option, of the defective product or its components. The Seller is not responsible for products which have been subject to misuse, alteration, accident or for repairs not performed by the Seller. Products must be returned properly packed with transportation charges prepaid to The Seller: return delivery terms will be DDP Seller's Factory. The foregoing warranty constitutes the Seller sole liability, and is in lieu of any other warranty, of merchantability or fitness. The Seller shall not be responsible for any incidental or consequential damages arising from any breach of warranty.

