

THERMOSTATIC ANTI CONDENSATION VALVE



OPERATING INSTRUCTIONS

MTA105 - attachments 1" male	Set point 50 °C
MTA105B - attachments 3/4" pipe unions	

MTA106 - attachments 1" male	Set point 60 °C
MTA106B - attachments 3/4" pipe unions	

TECHNICAL FEATURES

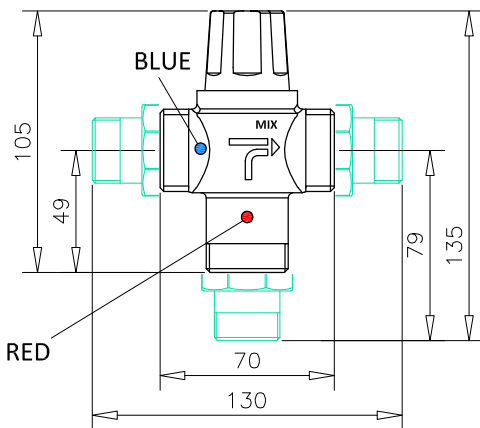
- Maximum operating pressure: **10 bar**
- Recommended pressure: **0 ÷ 5 bar**
- Maximum inlet temperature: **90 °C**
- Anti-tampering green cap
- **Kv: 2,7 m³/h**

MATERIALS

- Body: Press-forged and sandblasted Brass UNI EN 12165 **CW617 N**
- Shutter and inner parts: Drawn Brass UNI EN 12164 **CW614 N**
- O-RING: **NBR**
- temperature sensor: **made of expansible wax**
- Springs: Stainless steel **AISI 302**
- Cap: Nylon **PA6**



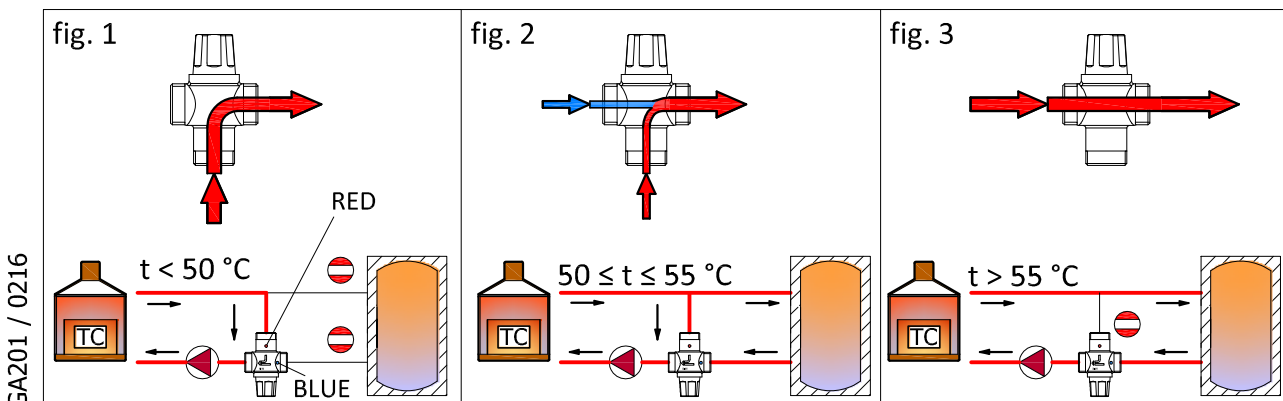
OVERALL DIMENSIONS



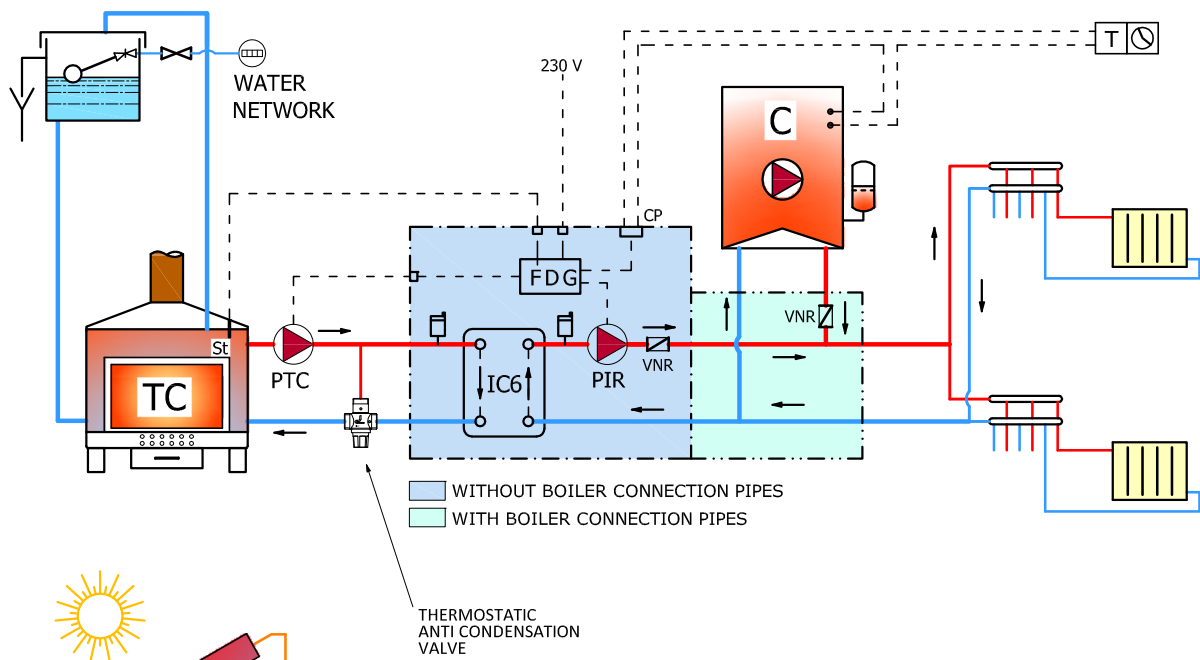
WORKING

Valve is set by manufacturer at the temperature of 50 (60) °C and it is utilized with heating biomass generators. Up to 50 (60) °C valve keeps open only the by-pass of the circuit, in order that water in the fireplace is quickly heated and corrosive condensation is avoided on the smoke circuit. Between 50 (60) °C and 55 (65) °C valve opens gradually the user circuit and and closes the by-pass, in order that water in the heating plant is gradually heated. Over 55 (65) °C by-pass is totally closed and valve deviates all flow to the user: return pipes to fireplaces are kept all the time in temperature. Filter installation is recommended if water contains particles.

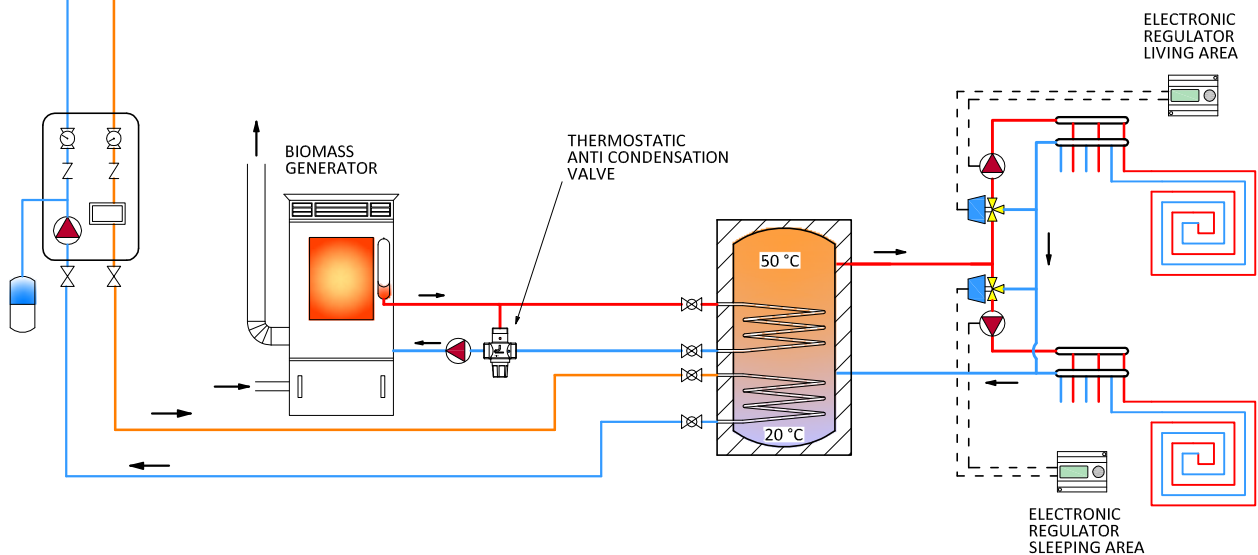
Flows and applications in 3 working conditions for anti condensation valve with **set point 50 °C**



GENERAL LAYOUT OF THE CONNECTION BETWEEN A BOX FIRE BF0 AND THE HEATING PLANT



GENERAL LAYOUT OF A RADIANT HEATING PLANT WITH BIOMASS GENERATOR AND SOLAR PANELS AS ENERGY SOURCES



WARRANTY

DE PALA company warrant each new valve and servomotor to be free from defects in material, workmanship and construction, and that when installed and used in accordance with this technical datasheet will perform to applicable specifications for a period of two years from production date stamped. If examination by DE PALA discloses that the product has been defective, then our obligation is limited to repair or replacement, at our option, of the defective product or its components. DE PALA is not responsible for products which have been subject to misuse, alteration, accident or for repairs not performed by DE PALA. Products must be returned properly packed with transportation charges prepaid to DE PALA; return delivery terms will be DDP Our Factory. The foregoing warranty constitutes DE PALA sole liability, and is in lieu of any other warranty, of merchantability or fitness. DE PALA shall not be responsible for any incidental or consequential damages arising from any breach of warranty.

de pala

33080 ROVEREDO IN PIANO (Pordenone) - Via del Lavoro, 10 - ITALY Web : www.depala.it
 Phone +39.0434.920466 +39.0434.923166 Fax +39.0434.591473 E-mail : info@depala.it